



Curious Creek FIBERS

Felted Bowling Bag Purse

Designed by Kristi Porter for Curious Creek Fibers ~ Test Knit by Lacy Province

This spunky little bag is worked in a series of short-rowed wedges on large needles. Then the purse is felted in a washing machine. Choose any two of your favorite colorways—from subtle to raucous.



MATERIALS

CCF Nakuru

55% Mohair, 45% Merino Wool; 72 yds/50g

Color A: 2 skeins (Center wedges)

Color B: 2 skeins (Outer band and wedges)

2—US #10 circular needles, or size needed to approximate gauge—since this project is felted, gauge is not very important.

2—US #10 double pointed needles (for I-cord), or a pair of #10 circular needles.

Gauge

Before Felting

12 sts/25 rows = 4 inches in garter stitch

After Felting

18 sts/28 rows = 4 inches in garter stitch

Size

Before Felting

12" high x 14" wide at base and 10" at the top edge
x 2.5" deep.

After Felting

8" high x 12" wide at base and 8½" at the top edge
x 2 inches deep.

PATTERN

First Side

With **Color A** on one circular needle, cast on 39 stitches (sts).

*Row 1: K3, Turn.

Row 2 and all even rows: Knit.

Row 3: K6, turn.

Row 5: K9, turn.

Continue in this manner, knitting 3 more stitches in each row until you have knit all 39 sts.

Next row (WS): K 39.

Next RS row: K36, turn.

Next row: K36.

Next RS row: K33, turn.

Next row: K33.

Continue in this manner, knitting 3 fewer stitches in each row, until you complete the wedge.

Knit back across all 39 stitches.*

www.curiouscreek.com

Change to **Color B**, and, beginning at opposite (pointy end) of first wedge, repeat from * **to** * above to create second wedge.

Change to **Color A**, and create a third wedge pointing the same way as the first. Repeat from Row 1 above, but do not knit back across all stitches at the end.

Connecting Band: Now that the first side of the purse is complete, a band is knit around three sides to create the short sides and bottom of the purse.

With Color B: Increase 5 sts evenly in row as you knit across all sts as follows: K3, [pick up and knit 1 stitch from row below, K6] 5 times.

Pick up 51 sts evenly along bottom (wide end) of bag (each garter ridge and the tip of the bottom pointing wedge).

Pick up 44 sts up the other side of the purse—[K6, pick up and knit 1 stitch from row below] 5 times, end k3.

K these 139 stitches in garter stitch for 15 rows.

Second Side

The second side is a bit more complicated than the first as the stitches from the bottom of the purse must be joined to the new side or 'top'. To accomplish this, you will be knitting stitches from both needles together at the bottom end on every WS row. As you come to this stitch, stick your right hand needle through the first available stitch on BOTH needles and knit them together—for brevity K1Top & 1Bottom together (K1T & 1B tog.).

Using Color A: With second circular needle, decrease 5 stitches over first 44 sts: K3, k2tog, [k6, k2tog] 4 times, k7—39 stitches on needle. Turn.

****Working from bottom corner of purse, K3, turn.**
Next Row: K2, k1 stitch from top and 1 stitch from bottom together (k1T & 1B tog).
Next Row: K6.turn.
Next Row: K5, k1T & 1B tog.
Next Row: K9, turn.
Next Row: K8, k1T & 1B tog.

Next Row: K 12, turn.

Next Row: K 11, k1T & 1B tog.

Continue in this manner, knitting 3 more stitches each right side row, and working back, knitting the final stitch together with a stitch from the bottom needle, until all 39 stitches have been knit.

Begin working back in the same manner, knitting 3 fewer stitches each row (and knitting the last stitch together with a stitch from the bottom needle on each WS row) until you reach the bottom of the wedge.**

Knit back across all 39 stitches with **Color A**. Switch to **Color B** and work another wedge as described above from * **to** *, but on middle row of 39 stitches, knit last stitch together with 1 stitch from bottom needle.

Work the final wedge as you did the first wedge of the second side from **** to ****.

On the needle with 44 sts, work one decrease row: K7, [k2tog, k6] 4 times 39 sts on needle.

Use a three-needle bind off to connect the two open sides of purse.

Handles

Using **Color A** and double pointed needles, cast on 6 stitches. Knit 8 rows. Begin making I-cord.

*****Knit 1 row, slide stitches across needle and, pulling yarn snug, knit the stitches again in the same direction.*****

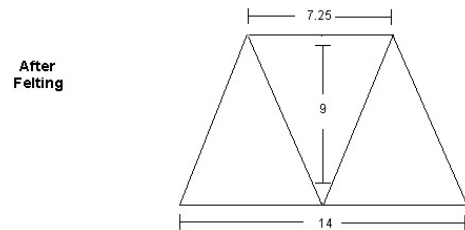
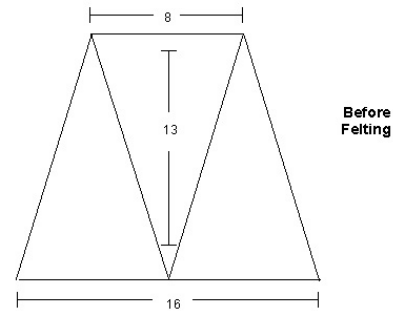
Continue ***** to ***** until I-cord measures approximately 10 inches. Work back and forth again for 8 rows.

Using **Color B**, make a second handle the same. Attach handles to either side of bag with sturdy matching thread or yarn.

FINISHING

Put finished purse in a laundry bag or old pillow case (this protects the washing machine from free floating wool from the purse). Put in washing machine with a small amount of shampoo or mild soap, never detergent. Put in an old pair of jeans to increase agitation, never a towel as the terry cloth will felt into the wool! Put washer on hot and small load settings. Let machine run through washing cycle, but not spin cycle. After 1 cycle, check to see if bag has felted enough. If not, re-set washer and let cycle run again, checking every 5 minutes. When bag has felted to desired degree, remove from washer and rinse in cool water in a sink to remove remaining soap. The cool/cold water will help set the felt and make it firm. Roll in a towel like a tootsie roll and press water out of it, being careful not to introduce any creases into the felted purse. Block the purse by filling with crumpled plastic bags and setting to dry in warm dry place.

BOWLING BAG PURSE
designed by Kristi Porter



Enjoy your Curious Creek Felted Bowling Purse!

www.curiouscreek.com